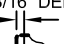


**JELD-WEN DOOR
INSTALLATION DETAILS
STEEL 24 GA. WOOD EDGE
OPAQUE WITH GLAZED SIDELITES
UP TO 12'-0" X 6'-8"
OUTSWING/INSWING**

GENERAL NOTES

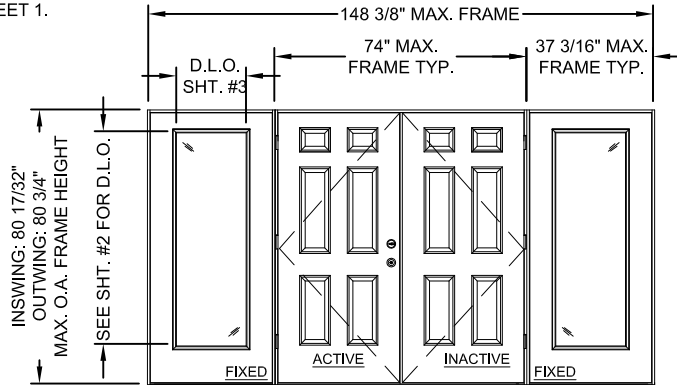
- THIS PRODUCT IS DESIGNED TO COMPLY WITH CURRENT INTERNATIONAL BUILDING CODE (I.B.C.) & INTERNATIONAL RESIDENTIAL CODE (I.R.C.) AND THE CURRENT FLORIDA BUILDING CODES (FBC). PRODUCT HAS BEEN TESTED TO TAS 201-94, TAS 202-94 AND TAS 203-94. PRODUCT ALSO MEETS "HIGH VELOCITY HURRICANE ZONE" (HVHZ) REQUIREMENTS.
- 1X AND 2X WOOD BUCKS BY OTHERS, MUST BE ANCHORED PROPERLY TO TRANSFER LOADS TO THE STRUCTURE. BUCK MATERIAL MUST HAVE A SPECIFIC GRAVITY OF 0.55 OR GREATER.
- PRODUCT ANCHOR TYPES AND SPACING ARE SHOWN ON SHEET 5. DIMENSIONS SHOWN FOR ANCHOR SPACING ARE ALWAYS FROM EDGE OF UNIT FRAME. ANCHOR EMBEDMENT TO BASE MATERIAL SHALL BE BEYOND WALL DRESSING OR STUCCO.
- THIS DOCUMENT SUPERCEDES OTHER ANCHOR INSTALLATION INSTRUCTIONS FOR IMPACT RATED DOORS. FOR OTHER IMPORTANT INSTALLATION INSTRUCTIONS, REFER TO JELD-WEN DOCUMENT #JII106 (INSTALLATION INSTRUCTIONS FOR PRE-HUNG ENTRY DOORS) FOUND ON THE JELD-WEN WEBSITE: [JELD-WEN.COM/LEARN/RESOURCES/INSTALLATION & FINISHING/](http://JELD-WEN.COM/LEARN/RESOURCES/INSTALLATION&FINISHING/).

5. FOR DESIGN PRESSURE RATINGS, SEE TABLE 1, SHEET 1.

6. ALL FASTENERS IN WOOD SHALL BE COUNTERSUNK 3/16" DEEP.
EXAMPLE: 

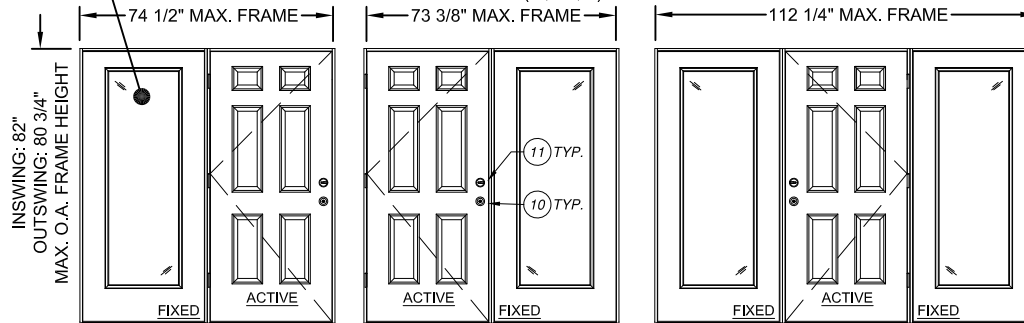
7. DOOR CORE BY JELD-WEN.

8. **FACE SHEETS:** 24 GA (0.021" MIN) THICKNESS. GALVANIZED STEEL WITH AVERAGE MINIMUM YIELD STRENGTH FY(AVE)=40.3 KSI.



12-0 X 6-8 ELEVATION
DOUBLE DOOR W/ FULL BACK-TO-BACK 3-0 SIDELITES
(O,XX,O)

IMPACT LITE TYP.
SEE SHT. #3



6-0 X 6-8 ELEVATION
DOUBLE (O,X)

6-0 X 6-8 ELEVATION
DOUBLE (X,O)

9-0 X 6-8 ELEVATION
TRIPLE (O,X,O)

TABLE 1				
DESIGN PRESSURE RATING:				
SIZE		QUALIFIES: IMPACT OPAQUE OPERABLE PANELS AND GLAZED SIDELITES		
MAX. PANEL WIDTH = 35 3/4"		6-8 TALL SYSTEMS:		
		(XXO) (OXXO) (OX) (XO) (OXO)		
MULLION TYPE		LVL BACK TO BACK MULLION	FJP OR SOLID PINE BACK TO BACK MULLION	1X4 ALUM. TUBE MULLION
OUTSWING	POSITIVE	+ 65*	+ 50*	+ 65*
	NEGATIVE	- 65*	- 50*	- 65*
INSWING	POSITIVE	+ 65*	+ 50*	+ 65*
	NEGATIVE	- 65*	- 50*	- 65*

COMPONENT LIST			
ITEM	DESCRIPTION	MATERIAL	QTY.
1	NON-COMPRESSION SHIM (0.25" MAX. THK.)	WOOD	AS REQ.
2	2X WOOD SUB BUCK (S.G. MUST BE 0.55 OR GREATER)	WOOD	AS REQ.
3	1X WOOD SUB BUCK (S.G. MUST BE 0.55 OR GREATER)	WOOD	AS REQ.
4	#10 WOOD INSTALLATION SCREW W/ 1 1/2" MIN. EMBEDMENT	STEEL	AS REQ.
5	1/4" ITW TAPCON MIN. 1 1/4" EMBEDMENT	STEEL	AS REQ.
6	#9 X 2 1/2" PHILLIPS FLATHEAD WOOD SCREW	STEEL	2 OR 4
7	#8 X 2" PHILLIPS FLATHEAD WOOD SCREW	STEEL	AS REQ.
8	#9 X 3/4" PHILLIPS FLATHEAD WOOD SCREW	STEEL	30 OR 60
9	1" O.A. IG IMPACT FRAME GLAZED BY ODL	ALUMINUM	1 OR 2
10	KWIKSET LOCK SERIES 400	STEEL	1
11	KWIKSET DEADBOLT SERIES 780	STEEL	1
12	ODL FLAT LITE KIT OPTION	STEEL	1
13	ADA THRESHOLD	ALUMINUM	1

- * NOTE(S):
- INSWING PRODUCT MEETS WATER INFILTRATION REQUIREMENTS ASTM E331-00 @ 0 PSF.
 - OUTSWING PRODUCT WITH AFCO H-497 THRESHOLDS MEETS WATER INFILTRATION REQUIREMENTS ASTM E331-00 @ 9 PSF.
 - OUTSWING PRODUCT WITH ENDURA FOB4566A THRESHOLDS MEETS WATER INFILTRATION REQUIREMENTS ASTM E331-00 @ 8.25 PSF.
 - ALL OTHER THRESHOLD RATED FOR 0 PSF.

JELD-WEN
WINDOWS & DOORS
3737 Lakeport Blvd.
Klamath Falls, OR 97601
Phone: (541) 882-3451
Fax: (541) 850-2609

STEEL WOOD EDGE 12-0 X 6-8 FULL LITE
INSWING/OUTSWING IMPACT GLAZING
PART OR ASSEMBLY
GENERAL NOTES, ELEVATIONS, DP RATINGS
AND B.O.M.

DATE: 12.15.2015
SCALE: NONE
DRAWN BY: G.LUBBECKE
CHK. BY: S.SAFFELL
DRAWING NO.: D013700
SHEET 1 OF 9

SHEET INDEX	
SHEET #	DESCRIPTION
1	GENERAL NOTES, B.O.M. & ELEVATIONS
2	GENERAL NOTES & ELEVATIONS
3	OUTSWING/INSWING BOX MULLION DETAILS
4	OUTSWING VERTICAL AND HORIZONTAL SECTIONS IN WOOD
5	OUTSWING VERTICAL AND HORIZONTAL SECTIONS IN CONCRETE/MASONRY

SHEET #	DESCRIPTION
6	INSWING VERTICAL AND HORIZONTAL SECTIONS IN WOOD
7	INSWING VERTICAL AND HORIZONTAL SECTIONS IN CONCRETE/MASONRY
8	OUTSWING AND INSWING ANCHORING DETAILS
9	TUBE MULLION ANCHORING DETAILS

**JELD-WEN DOOR
INSTALLATION DETAILS
STEEL 24 GA. WOOD EDGE
OPAQUE WITH GLAZED SIDELITES
UP TO 12'-0" X 8'-0"
OUTSWING/INSWING**

GENERAL NOTES


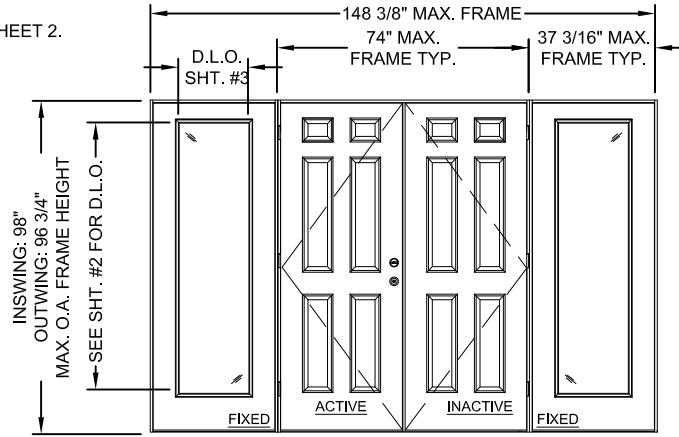
1. THIS PRODUCT IS DESIGNED TO COMPLY WITH CURRENT INTERNATIONAL BUILDING CODE (I.B.C.) & INTERNATIONAL RESIDENTIAL CODE (I.R.C.) AND THE CURRENT FLORIDA BUILDING CODES (FBC). PRODUCT HAS BEEN TESTED TO TAS 201-94, TAS 202-94 AND TAS 203-94. PRODUCT ALSO MEETS "HIGH VELOCITY HURRICANE ZONE" (HVHZ) REQUIREMENTS.
2. 1X AND 2X WOOD BUCKS BY OTHERS, MUST BE ANCHORED PROPERLY TO TRANSFER LOADS TO THE STRUCTURE. BUCK MATERIAL MUST HAVE A SPECIFIC GRAVITY OF 0.55 OR GREATER.
3. PRODUCT ANCHOR TYPES AND SPACING ARE SHOWN ON SHEET 5. DIMENSIONS SHOWN FOR ANCHOR SPACING ARE ALWAYS FROM EDGE OF UNIT FRAME. ANCHOR EMBEDMENT TO BASE MATERIAL SHALL BE BEYOND WALL DRESSING OR STUCCO.
4. THIS DOCUMENT SUPERCEDES OTHER ANCHOR INSTALLATION INSTRUCTIONS FOR IMPACT RATED DOORS. FOR OTHER IMPORTANT INSTALLATION INSTRUCTIONS, REFER TO JELD-WEN DOCUMENT #JII106 (INSTALLATION INSTRUCTIONS FOR PRE-HUNG ENTRY DOORS) FOUND ON THE JELD-WEN WEBSITE: [JELD-WEN.COM/LEARN/RESOURCES/INSTALLATION & FINISHING/](http://JELD-WEN.COM/LEARN/RESOURCES/INSTALLATION&FINISHING/).
5. FOR DESIGN PRESSURE RATINGS, SEE TABLE 1, SHEET 2.
6. ALL FASTENERS IN WOOD SHALL BE COUNTERSUNK 3/16" DEEP.
EXAMPLE: 
7. DOOR CORE BY JELD-WEN.
8. FACE SHEETS: 24 GA (0.021" MIN) THICKNESS. GALVANIZED STEEL WITH AVERAGE MINIMUM YIELD STRENGTH FY(AVE)=40.3 KSI.

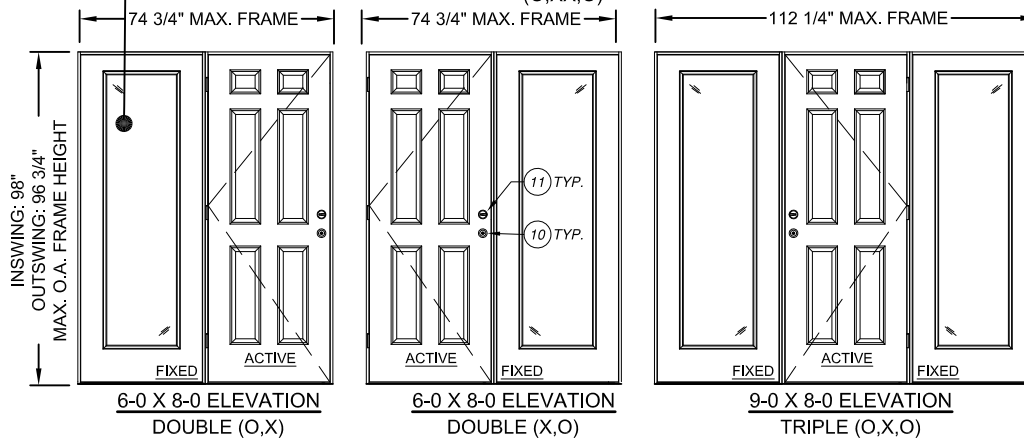
TABLE 1			
DESIGN PRESSURE RATING:			
SIZE	QUALIFIES: IMPACT OPAQUE OPERABLE PANELS AND GLAZED SIDELITES		
MAX. PANEL WIDTH = 35 3/4"	8-0 TALL SYSTEMS:		
	(XXO) (OXXO) (OX) (XO) (OXO)		
MULLION TYPE	LVL BACK TO BACK MULLION	FJP OR SOLID PINE BACK TO BACK MULLION	1X4 ALUM. TUBE MULLION
OUTSWING	POSITIVE	+ 50*	+ 35*
	NEGATIVE	- 50*	- 35*
INSWING	POSITIVE	+ 50*	+ 35*
	NEGATIVE	- 50*	- 35*

- * NOTE(s):
- INSWING PRODUCT MEETS WATER INFILTRATION REQUIREMENTS ASTM E331-00 @ 0 PSF.
 - OUTSWING PRODUCT WITH AFCO H-497 THRESHOLDS MEETS WATER INFILTRATION REQUIREMENTS ASTM E331-00 @ 9 PSF. OUTSWING PRODUCT WITH ENDURA FOB4566A THRESHOLDS MEETS WATER INFILTRATION REQUIREMENTS ASTM E331-00 @ 8.25 PSF. ALL OTHER THRESHOLD RATED FOR 0 PSF.



DOUBLE DOOR W/ FULL BACK-TO-BACK 3-0 SIDELITES

IMPACT LITE TYP.
SEE SHT. #3



6-0 X 8-0 ELEVATION
DOUBLE (O,X)

6-0 X 8-0 ELEVATION
DOUBLE (X,O)

9-0 X 8-0 ELEVATION
TRIPLE (O,X,O)

JELD WEN
WINDOWS & DOORS
3737 Lakeport Blvd.
Klamath Falls, OR 97601
Phone: (541) 882-3451
Fax: (541) 850-2609

STEEL WOOD EDGE 12-0 X 8-0 FULL LITE
INSWING/OUTSWING IMPACT GLAZING
PART OR ASSEMBLY
GENERAL NOTES, ELEVATIONS, DP RATINGS

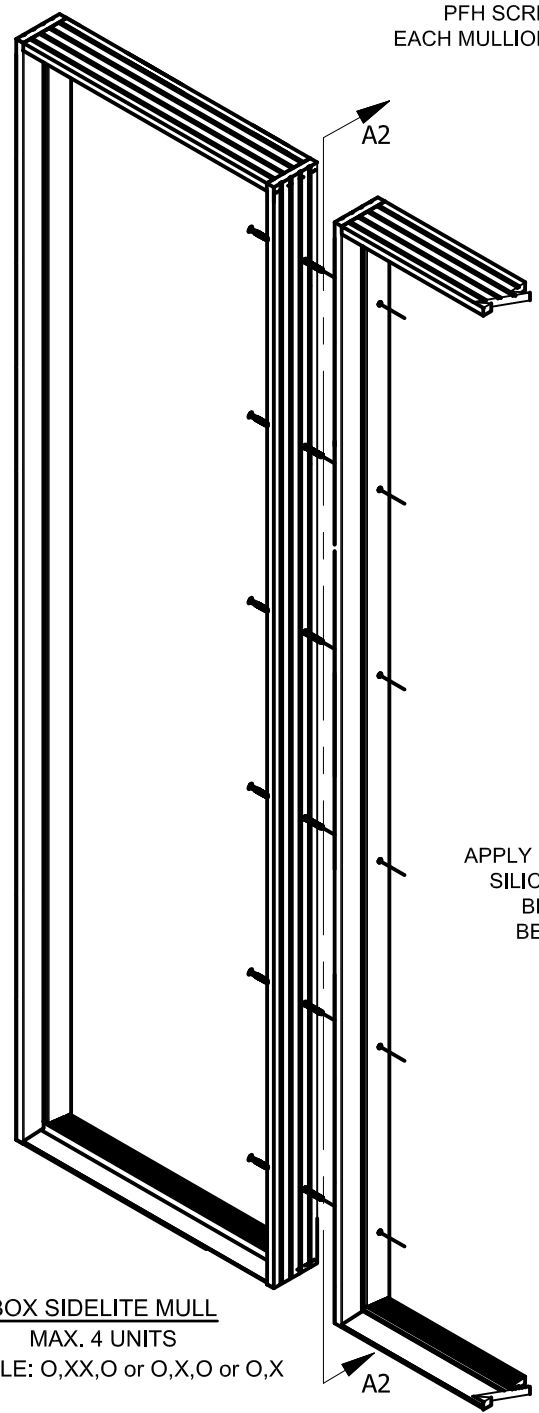
HERMESA F. NORERO
LICENSED PROFESSIONAL ENGINEER
No. 73778
STATE OF FLORIDA
HERMESA F. NORERO
FLORIDA P.E. NO. 73778
398 E. DANIA BEACH BLVD. #338
DANIA BEACH, FL 33004
FBPE CERT. OF AUTH. NO. 29578

DATE: 12.15.2015
SCALE: NONE
DWG. BY: G.LUBBECKE
CHK. BY: S.SAFFELL
DRAWING No.: D013700
SHEET 2 OF 9

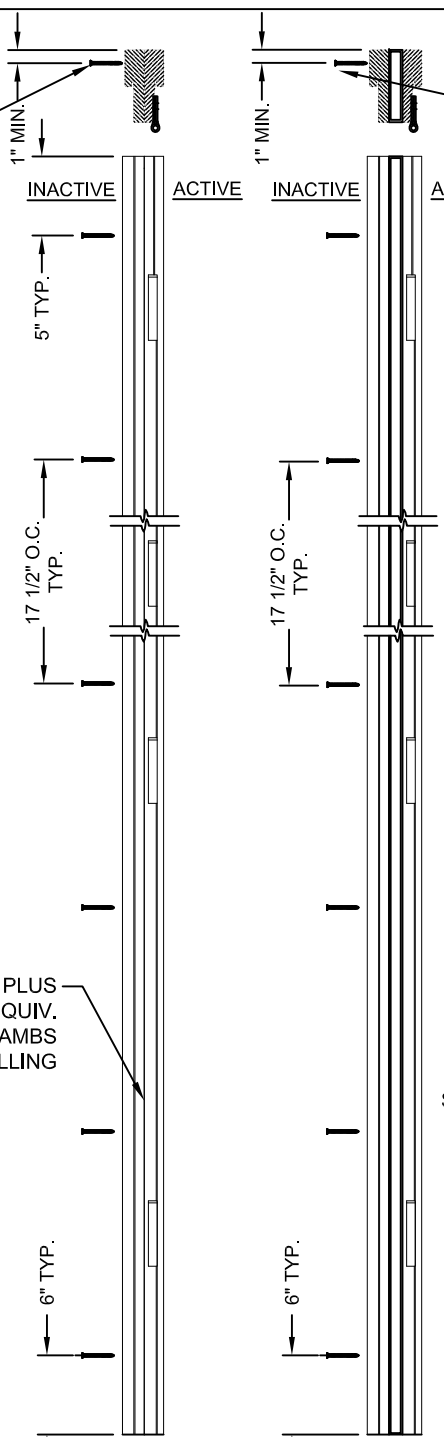
NO.	DATE	REVISIONS	BY
1	01/24/20	ADA THRESHOLD ADDED	TB

#8 X 2" PFH SCREW AT EACH MULLION TYP.

#8 X 2" PFH SCREW AT EACH MULLION TYP. SEE SHEET 9 FOR TUBE MULLION ANCHOR DETAILS

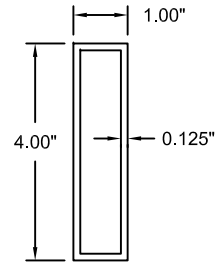


BOX SIDELITE MULL
MAX. 4 UNITS
EXAMPLE: O,XX,O or O,X,O or O,X

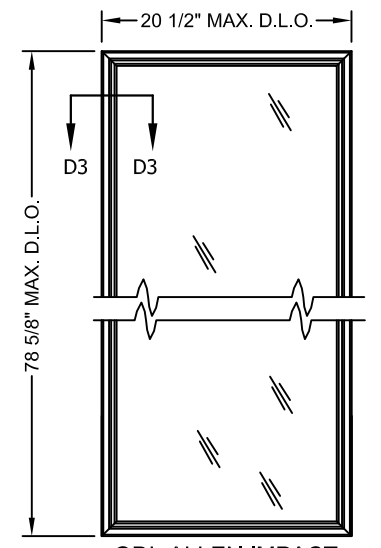


DETAIL A3
FASTENER LOCATIONS AT DOUBLE-BACK JAMB ATTACHMENT

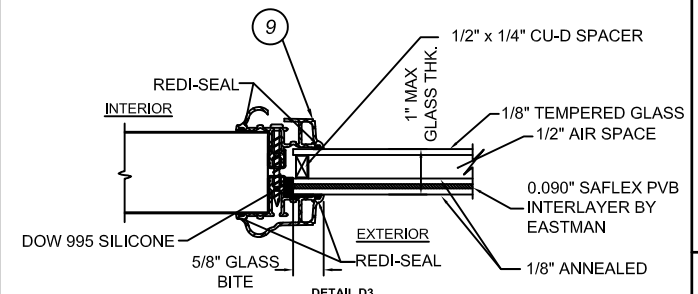
DETAIL B3
FASTENER LOCATIONS AT 1" X 4" MULLION



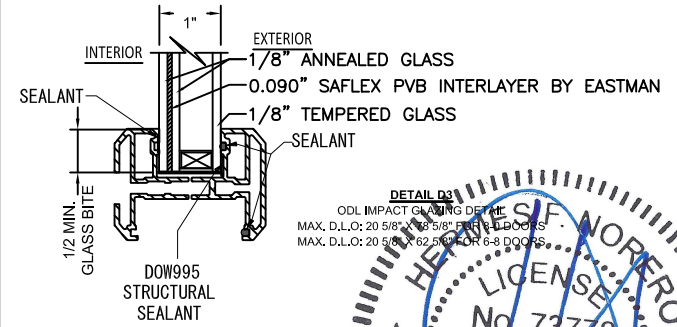
DETAIL C3
1" X 4" MULLION
6063-T6 ALUM.



ODL ALLEN IMPACT
3-0 X 6-8 SHOWN



DETAIL D3
ODL IMPACT GLAZING DETAIL
MAX. D.L.O.: 20 1/2" X 78 5/8" FOR 6-0 DOORS
MAX. D.L.O.: 20 1/2" X 62 1/2" FOR 6-8 DOORS



DETAIL D3
ODL IMPACT GLAZING DETAIL
MAX. D.L.O.: 20 5/8" X 78 5/8" FOR 6-0 DOORS
MAX. D.L.O.: 20 5/8" X 62 5/8" FOR 6-8 DOORS

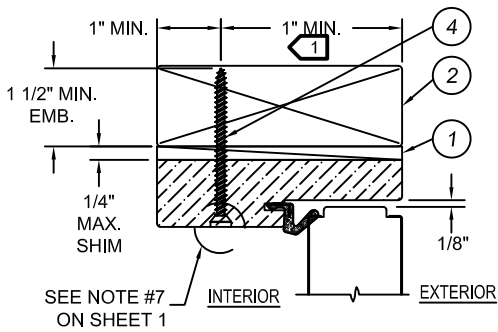
APPLY DAP ALEX PLUS SILICONE OR EQUIV. BETWEEN JAMBS BEFORE MULLING

JELDOWEN
WINDOWS & DOORS
3737 Lakeport Blvd.
Klamath Falls, OR 97601
Phone: (541) 882-3451
Fax: (541) 850-2609

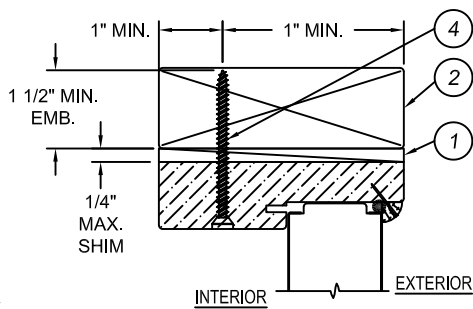
STEEL WOOD EDGE 12-0 X 8-0 FULL LITE
INSWING/OUTSWING IMPACT GLAZING
PART OR ASSEMBLY
MULLING DETAILS AND GLAZING OPTIONS

HERMES F. NORERO
FLORIDA P.E. NO. 73778
398 E. DANIA BEACH BLVD., #338
DANIA BEACH, FL 33004
FBPE CERT. OF AUTH. NO. 29578

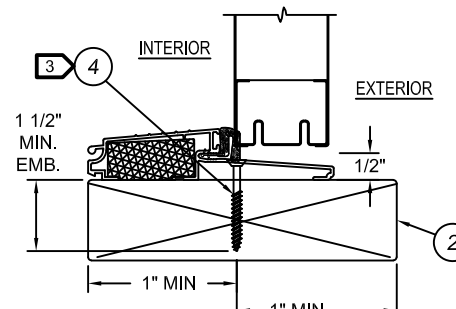
DATE: 12.15.2015
SCALE: NONE
DWS. BY: G.LUBBECKE
CHK. BY: S.SAFFELL
DRAWING No.: D013700
SHEET 3 OF 9



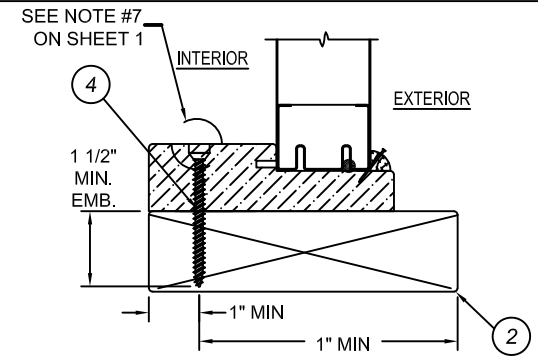
**OUTSWING OPERATING UNIT
VERTICAL CROSS SECTION
HEAD JAMB**



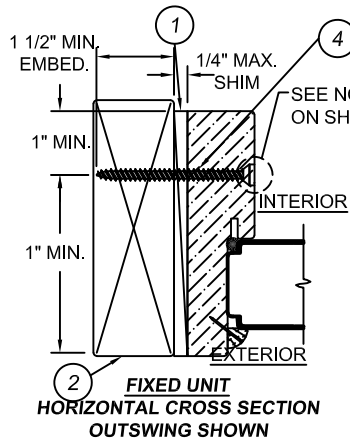
**OUTSWING FIXED UNIT
VERTICAL CROSS SECTION
SILICONE AT HEAD JAMB**



**OUTSWING OPERATING UNIT
VERTICAL CROSS SECTION
MAY BE USED AS FIXED SIDELITE W/
BEAD OF SEALANT**

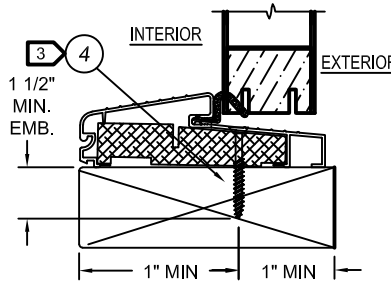
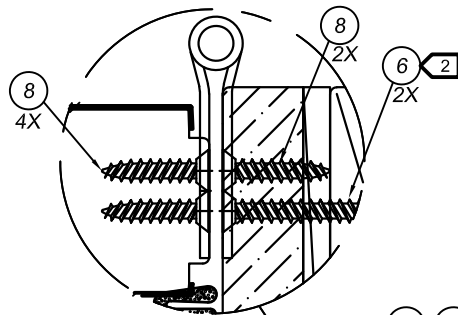


**OUTSWING FIXED UNIT
VERTICAL CROSS SECTION
JAMB W/ FIXED SEAT**

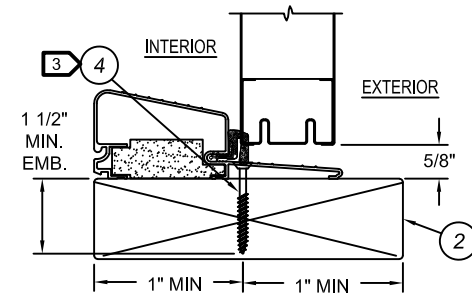


**FIXED UNIT
HORIZONTAL CROSS SECTION
OUTSWING SHOWN**

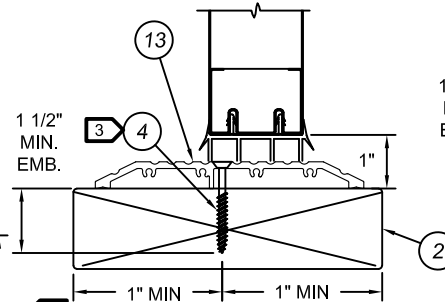
HINGE DETAIL:
TOP = 6 SCREWS (ITEM #8), 2 SCREWS (ITEM #6)
ALL OTHER HINGES = 8 SCREWS (ITEM #8)



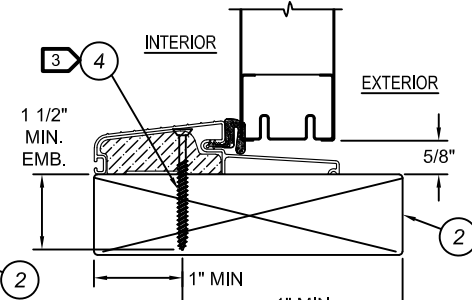
**OUTSWING OPERATING UNIT
VERTICAL CROSS SECTION
MAY BE USED AS FIXED SIDELITE W/
BEAD OF SEALANT**



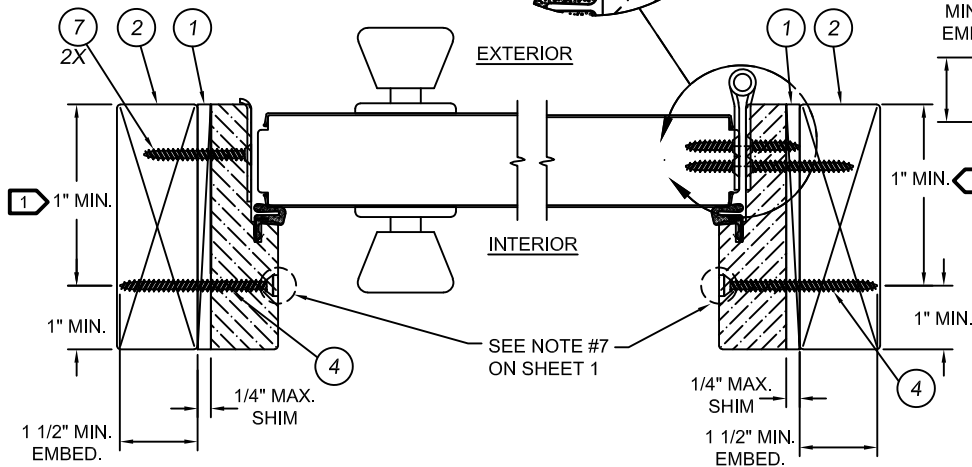
**OUTSWING OPERATING UNIT
VERTICAL CROSS SECTION
MAY BE USED AS FIXED SIDELITE W/
BEAD OF SEALANT**



**OUTSWING OPERATING UNIT
VERTICAL CROSS SECTION
ADA SILL**

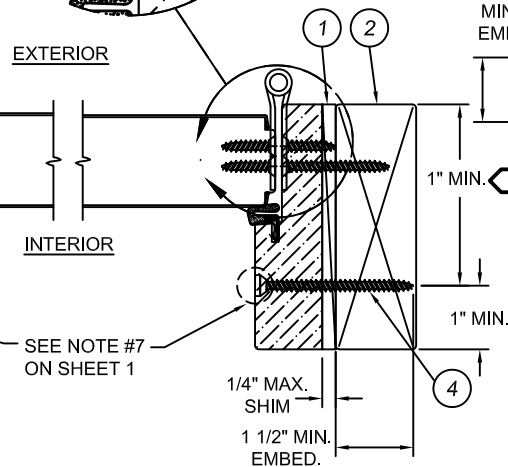


**OUTSWING OPERATING UNIT
VERTICAL CROSS SECTION
MAY BE USED AS FIXED SIDELITE W/
BEAD OF SEALANT**



**OUTSWING LATCH JAMB AT FRAME
HORIZONTAL CROSS SECTION**

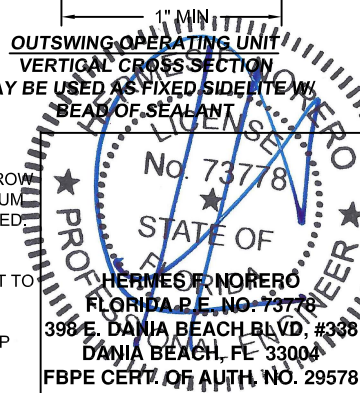
SEE NOTE #7
ON SHEET 1



**OUTSWING HINGE JAMB AT FRAME
HORIZONTAL CROSS SECTION**

NOTES:

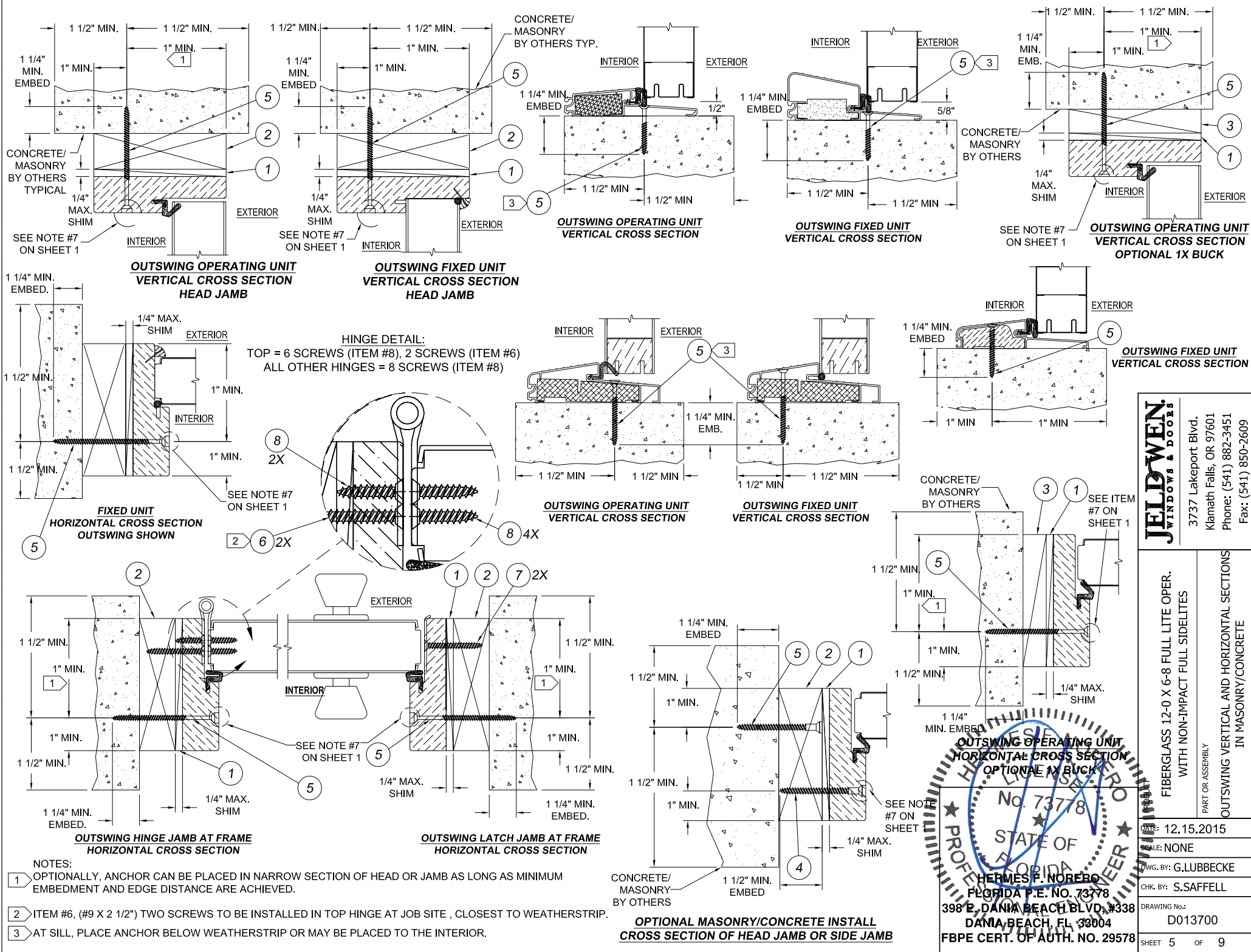
- 1 OPTIONALLY, ANCHOR CAN BE PLACED IN NARROW SECTION OF HEAD OR JAMB AS LONG AS MINIMUM EMBEDMENT AND EDGE DISTANCE ARE ACHIEVED.
- 2 ITEM #6, (#9 X 2 1/2") TWO SCREWS TO BE INSTALLED IN TOP HINGE AT JOB SITE, CLOSEST TO WEATHERSTRIP.
- 3 AT SILL, PLACE ANCHOR BELOW WEATHERSTRIP OR MAYBE PLACED TO THE INTERIOR.



JELD-BOWEN
WINDOWS & DOORS
3737 Lakeport Blvd.
Klamath Falls, OR 97601
Phone: (541) 882-3451
Fax: (541) 850-2609

STEEL WOOD EDGE 12-0 X 8-0 FULL LITE
INSWING/OUTSWING IMPACT GLAZING
PART OR ASSEMBLY
OUTSWING VERTICAL AND HORIZONTAL SECTIONS
IN WOOD

DATE: 12.15.2015
SCALE: NONE
DWG. BY: G.LUBBECKE
CHK. BY: S.SAFFELL
DRAWING No.: D013700
SHEET 4 OF 9



- NOTES:
- 1 OPTIONALLY, ANCHOR CAN BE PLACED IN NARROW SECTION OF HEAD OR JAMB AS LONG AS MINIMUM EMBEDMENT AND EDGE DISTANCE ARE ACHIEVED.
 - 2 ITEM #6, (#9 X 2 1/2") TWO SCREWS TO BE INSTALLED IN TOP HINGE AT JOB SITE, CLOSEST TO WEATHERSTRIP.
 - 3 AT SILL, PLACE ANCHOR BELOW WEATHERSTRIP OR MAY BE PLACED TO THE INTERIOR.

JELLOWEN
WINDOWS & DOORS
3737 Lakeport Blvd.
Klamath Falls, OR 97601
Phone: (541) 882-3451
Fax: (541) 850-2609

FIBERGLASS 12-0 X 6-8 FULL LITE OPER.
WITH NON-IMPACT FULL SIDELITES
PART OR ASSEMBLY
OUTSWING VERTICAL AND HORIZONTAL SECTIONS
IN MASONRY/CONCRETE

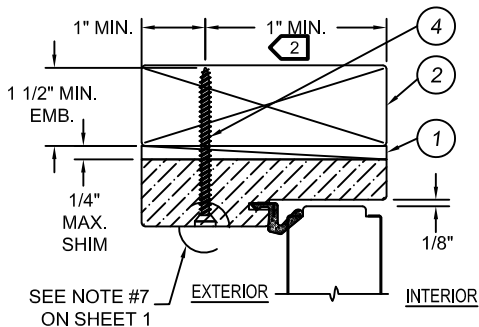
OUTSWING OPERATING UNIT
HORIZONTAL CROSS SECTION
OPTIONAL 1X BUCK

SEE ITEM #7 ON SHEET 1

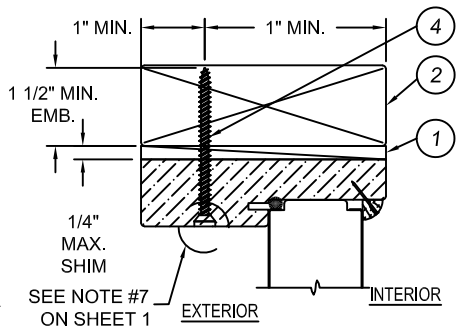
SEE NOTE #7 ON SHEET 1

STATE OF FLORIDA
HERMES F. NOBEO
FLORIDA P.E. NO. 73778
398 E. DANIA BEACH BLVD. #338
DANIA BEACH, FL 33004
FBPE CERT. OF AUTH. NO. 29578

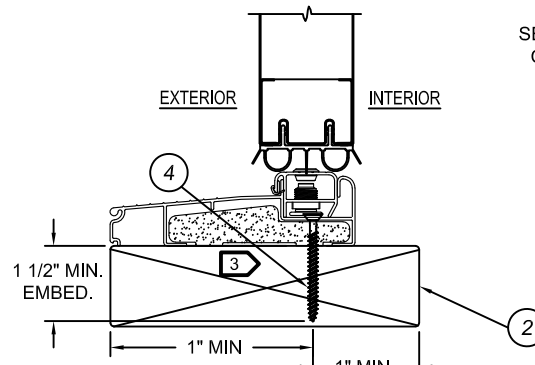
DATE: 12.15.2015
SCALE: NONE
DWG. BY: G.LUBBECKE
CHK. BY: S.SAFFELL
DRAWING No.: D013700
SHEET 5 OF 9



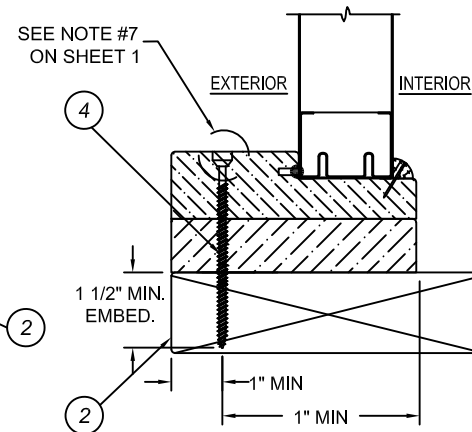
**INSWING OPERATING UNIT
VERTICAL CROSS SECTION
HEAD JAMB**



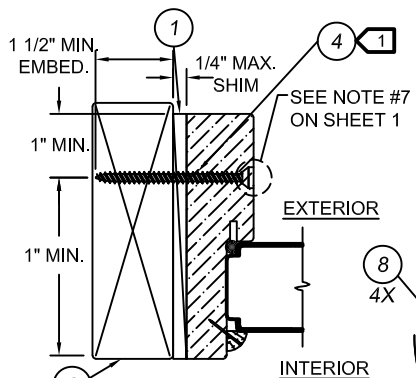
**INSWING FIXED UNIT
VERTICAL CROSS SECTION
HEAD JAMB**



**INSWING OPERATING UNIT
VERTICAL CROSS SECTION
BOXED SIDELITE SILL**

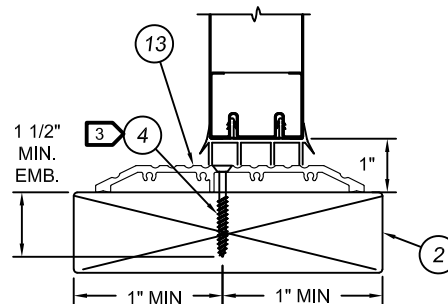
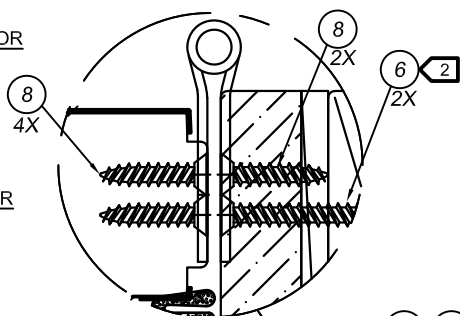


**INSWING STATIONARY UNIT
VERTICAL CROSS SECTION
BOXED SIDELITE SILL**

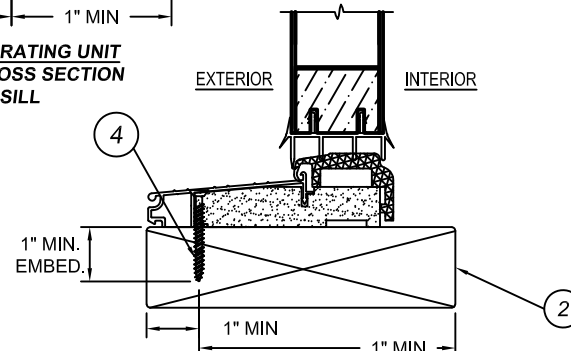


**FIXED UNIT
HORIZONTAL CROSS SECTION
INSWING SHOWN**

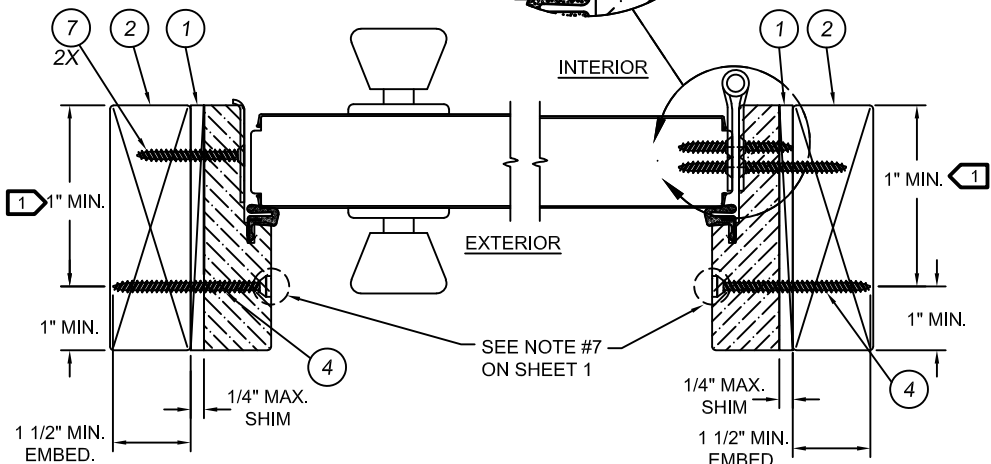
HINGE DETAIL:
TOP = 6 SCREWS (ITEM #8), 2 SCREWS (ITEM #6)
ALL OTHER HINGES = 8 SCREWS (ITEM #8)



**INSWING OPERATING UNIT
VERTICAL CROSS SECTION
ADA SILL**



**INSWING OPERATING UNIT
VERTICAL CROSS SECTION
XO, OXO CONFIG ONLY**

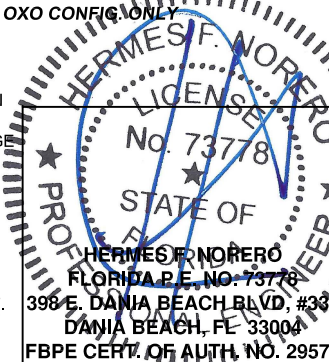


**INSWING LATCH JAMB AT FRAME
HORIZONTAL CROSS SECTION**

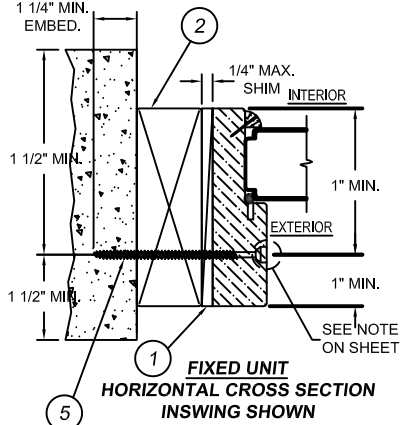
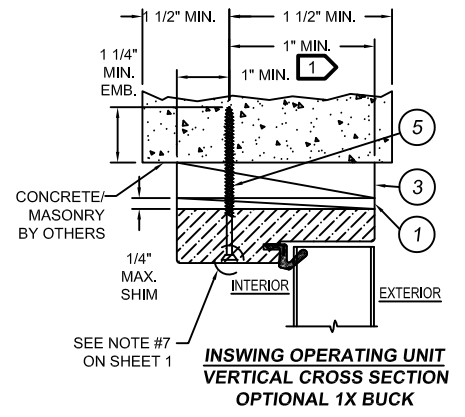
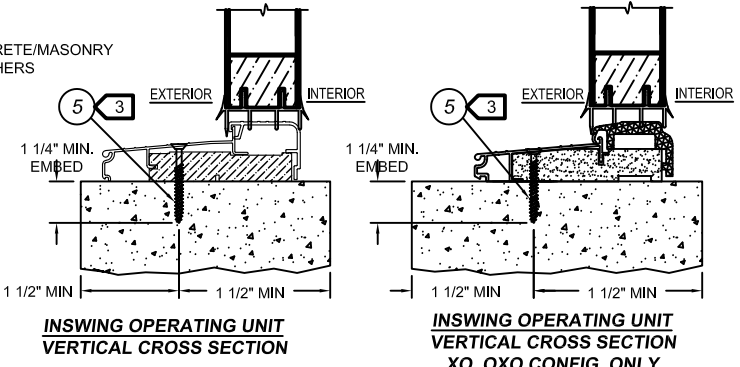
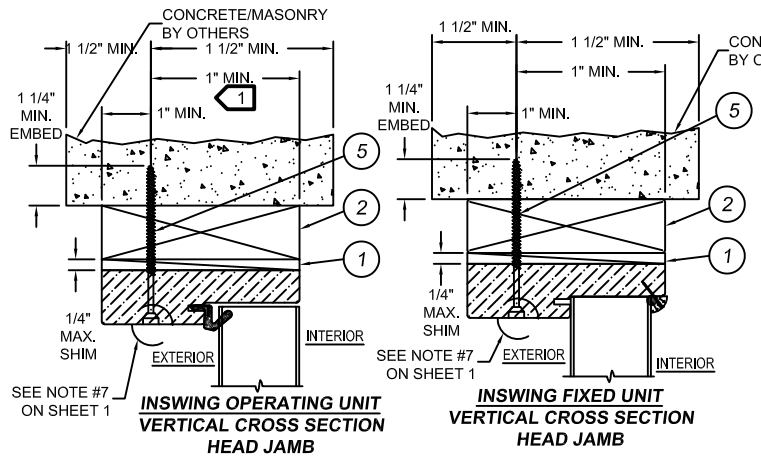
**INSWING HINGE JAMB AT FRAME
HORIZONTAL CROSS SECTION**

NOTES:

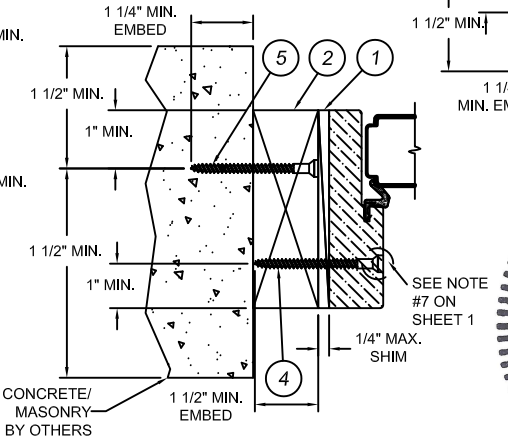
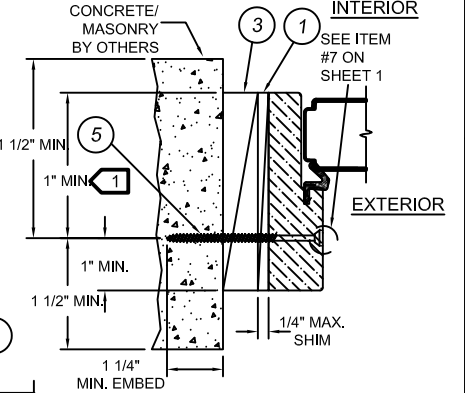
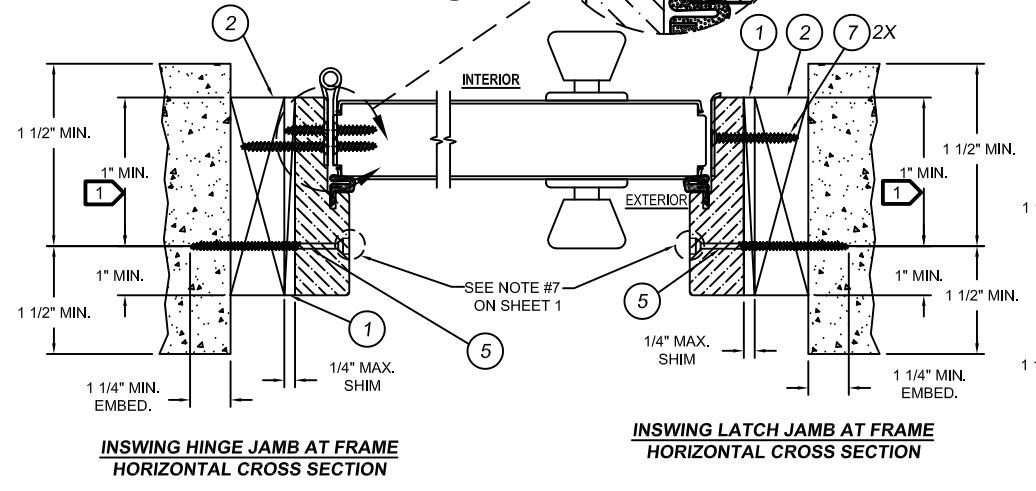
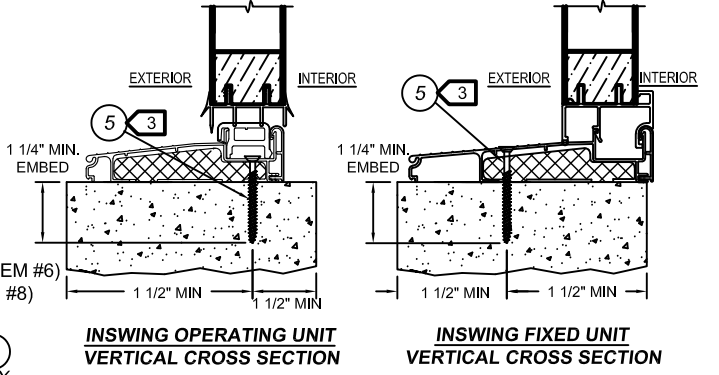
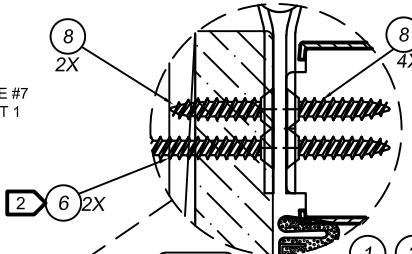
- 1 OPTIONALLY, ANCHOR CAN BE PLACED IN NARROW SECTION OF HEAD OR JAMB AS LONG AS MINIMUM EMBEDMENT AND EDGE DISTANCE ARE ACHIEVED.
- 2 ITEM #6, (#9 X 2 1/2") TWO SCREWS TO BE INSTALLED IN TOP HINGE AT JOB SITE, CLOSEST TO WEATHERSTRIP.
- 3 AT SILL, PLACE ANCHOR IN SILL BASE MATERIAL FOR MAXIMUM SUPPORT.



JELDOWEN WINDOWS & DOORS	
3737 Lakeport Blvd. Klamath Falls, OR 97601 Phone: (541) 882-3451 Fax: (541) 850-2609	
STEEL WOOD EDGE 12-0 X 8-0 FULL LITE INSWING/OUTSWING IMPACT GLAZING PART OR ASSEMBLY	INSWING VERTICAL AND HORIZONTAL SECTIONS IN WOOD
DATE: 12.15.2015	
SCALE: NONE	
DWG. BY: G.LUBBECKE	
CHK. BY: S.SAFFELL	
DRAWING NO.: D013700	
SHEET 6 OF 9	



HINGE DETAIL:
 TOP = 6 SCREWS (ITEM #8), 2 SCREWS (ITEM #6)
 ALL OTHER HINGES = 8 SCREWS (ITEM #8)



- NOTES:**
- 1 OPTIONALLY, ANCHOR CAN BE PLACED IN NARROW SECTION OF HEAD OR JAMB AS LONG AS MINIMUM EMBEDMENT AND EDGE DISTANCE ARE ACHIEVED.
 - 2 ITEM #6, (#9 X 2 1/2") TWO SCREWS TO BE INSTALLED IN TOP HINGE AT JOB SITE, CLOSEST TO WEATHERSTRIP.
 - 3 AT SILL, PLACE ANCHOR IN SILL BASE MATERIAL FOR MAXIMUM SUPPORT.

HERMESTE NORERO
 LICENSE NO. 73778
 STATE OF FLORIDA
 P.L. NO. 78728
 398 E. DANIA BEACH BLVD., #338
 DANIA BEACH, FL 33004
 FBPE CERT. OF AUTH. NO. 29578

JELD-WEN
 WINDOWS & DOOR

3737 Lakeport Blvd.
 Klamath Falls, OR 97601
 Phone: (541) 882-3451
 Fax: (541) 850-2609

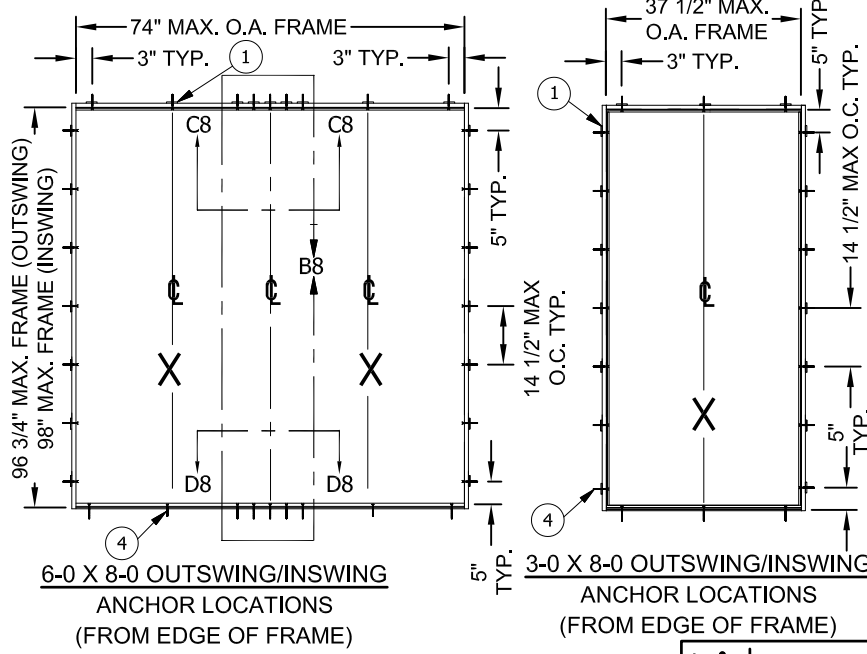
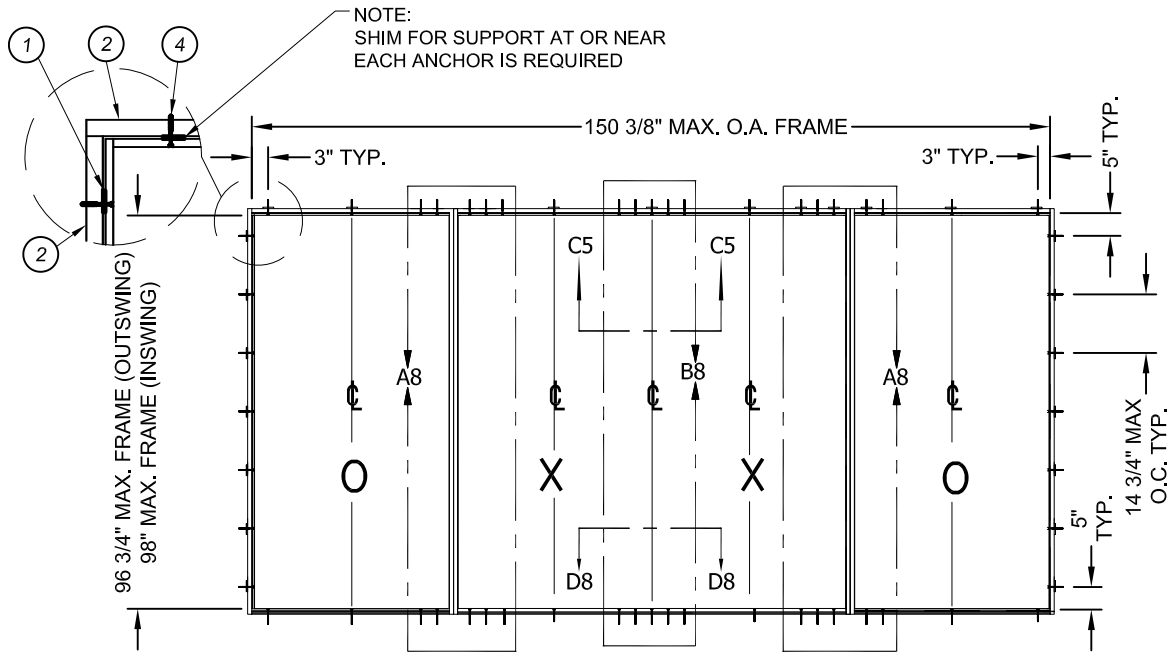
FIBERGLASS 12-0 X 6-8 FULL LITE OPER.
 WITH NON-IMPACT FULL SIDELITES

PART OR ASSEMBLY

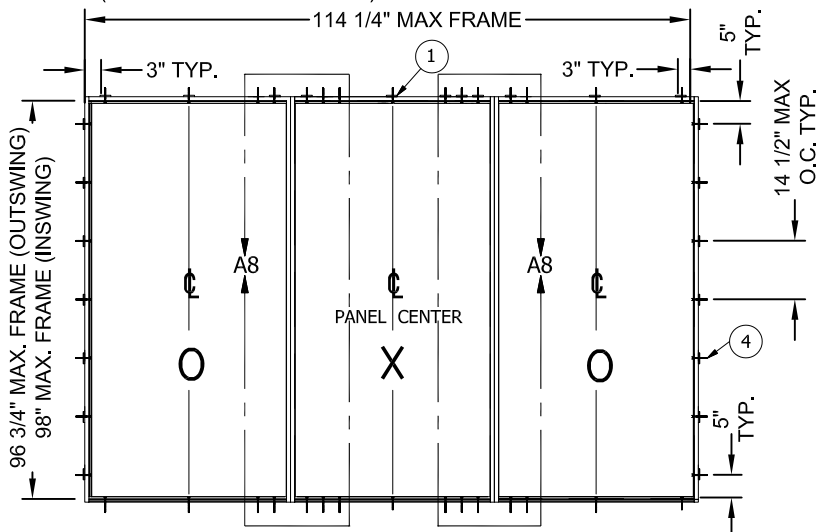
INSWING VERTICAL AND HORIZONTAL SECTIONS
 IN MASONRY/CONCRETE

DATE: 12.15.2015
 SCALE: NONE
 DWG. BY: G.LUBBECKE
 CHK. BY: S.SAFFELL
 DRAWING No.: D013700
 SHEET 7 OF 9

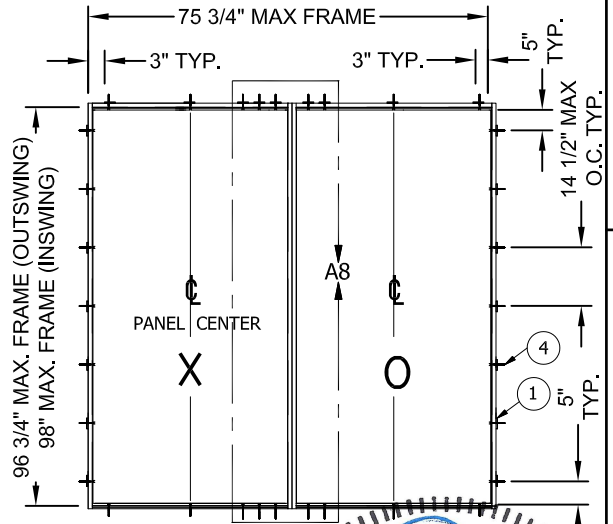
NOTE:
SHIM FOR SUPPORT AT OR NEAR
EACH ANCHOR IS REQUIRED



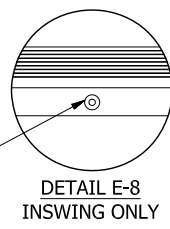
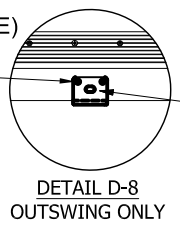
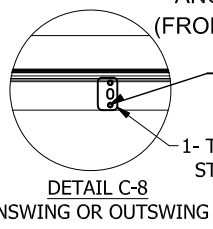
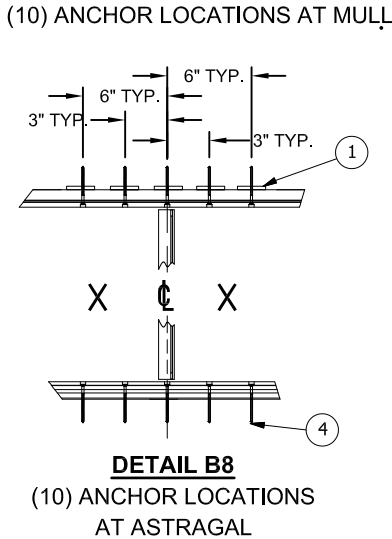
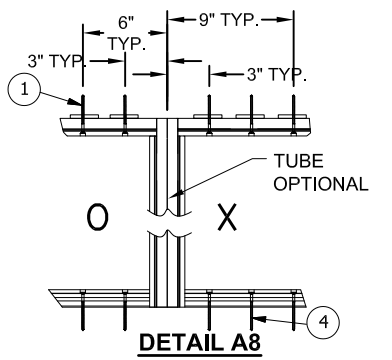
12-0 X 8-0 OUTSWING/INSWING
ANCHOR LOCATIONS
(FROM EDGE OF FRAME)



9-0 X 8-0 OUTSWING/INSWING
ANCHOR LOCATIONS
(FROM EDGE OF FRAME)



6-0 X 8-0 OUTSWING/INSWING
ANCHOR LOCATIONS
(FROM EDGE OF FRAME)



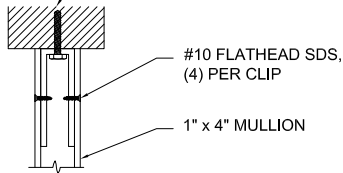
JELD-WEN
WINDOWS & DOORS
3737 Lakeport Blvd.
Klamath Falls, OR 97601
Phone: (541) 882-3451
Fax: (541) 850-2609

STEEL WOOD EDGE 12-0 X 8-0 FULL LITE
INSWING/OUTSWING IMPACT GLAZING
PART OR ASSEMBLY
INSWING AND OUTSWING ANCHORING DETAILS

HERMES R. NOBREGO
PROFESSIONAL ENGINEER
No. 73778
STATE OF FLORIDA
395 E. DANIA BEACH BLVD, #338
DANIA BEACH, FL 33004
FBPE CERT. OF AUTH. NO. 29578

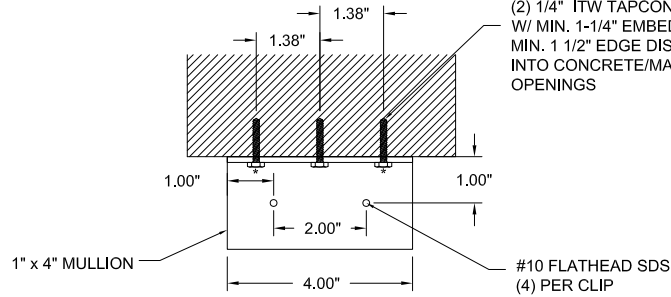
DATE: 12.15.2015
SCALE: NONE
DWG. BY: G.LUBBECKE
CHK. BY: S.SAFFELL
DRAWING No.: D013700
SHEET 8 OF 9

(3) #10 WOOD SCREWS
W/ MIN. 1-1/2" EMBEDMENT,
MIN. 3/4" EDGE DISTANCE INTO
WOOD OPENINGS
(2) 1/4" ITW TAPCONS
W/ MIN. 1-1/4" EMBEDMENT,
MIN. 1 1/2" EDGE DISTANCE,
INTO CONCRETE/MASONRY
OPENINGS

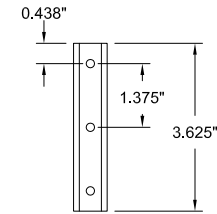
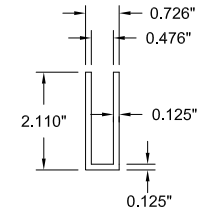


DETAIL A-9
TYPICAL ATTACHMENT AT
MULLION INTERSECTION W/C-CLIP
VERTICAL SECTION

(3) #10 WOOD SCREWS
W/ MIN. 1-1/2" EMBEDMENT,
MIN. 3/4" EDGE DISTANCE INTO
WOOD OPENINGS
(2) 1/4" ITW TAPCONS
W/ MIN. 1-1/4" EMBEDMENT,
MIN. 1 1/2" EDGE DISTANCE,
INTO CONCRETE/MASONRY
OPENINGS

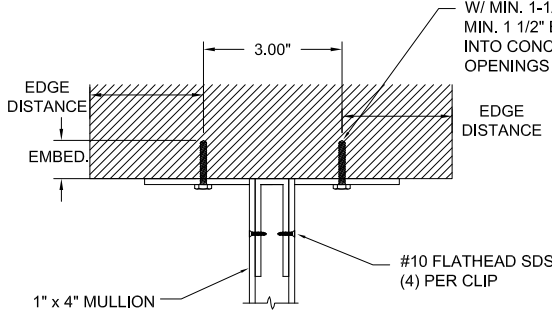


DETAIL B-9
1" X 4" MULLION ATTACHMENT AT
MULLION INTERSECTION W/C-CLIP
SIDE ELEVATION



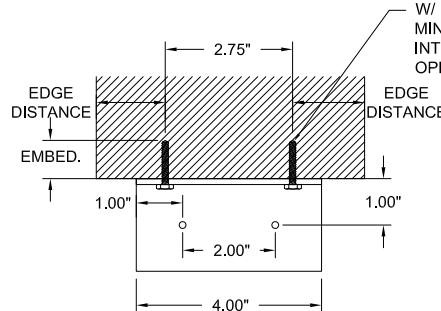
DETAIL C-9
C-CLIP

(4) #10 WOOD SCREWS
W/ MIN. 1-1/2" EMBEDMENT,
MIN. 3/4" EDGE DISTANCE INTO
WOOD OPENINGS
(4) 1/4" ITW TAPCONS
W/ MIN. 1-1/4" EMBEDMENT,
MIN. 1 1/2" EDGE DISTANCE,
INTO CONCRETE/MASONRY
OPENINGS

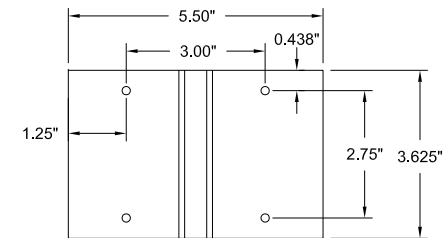
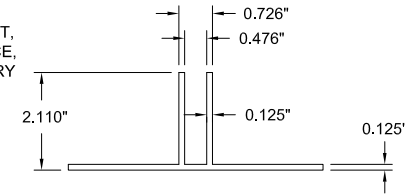


DETAIL D-9
TYPICAL ATTACHMENT
WITH T-CLIP
VERTICAL SECTION

(4) #10 WOOD SCREWS
W/ MIN. 1-1/2" EMBEDMENT,
MIN. 3/4" EDGE DISTANCE INTO
WOOD OPENINGS
(4) 1/4" ITW TAPCONS
W/ MIN. 1-1/4" EMBEDMENT,
MIN. 1 1/2" EDGE DISTANCE,
INTO CONCRETE/MASONRY
OPENINGS



DETAIL E-9
1" X 4" MULLION ATTACHMENT
WITH T-CLIP
SIDE ELEVATION

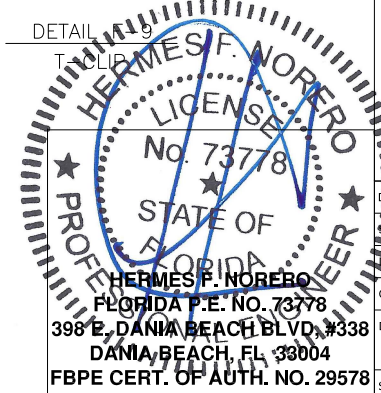


DETAIL F-9
T-CLIP

JELD-WEN
WINDOWS & DOORS
3737 Lakeport Blvd.
Klamath Falls, OR 97601
Phone: (541) 882-3451
Fax: (541) 850-2609

STEEL WOOD EDGE 12-0 X 8-0 FULL LITE
INSWING/OUTSWING IMPACT GLAZING

PART OR ASSEMBLY
TUBE MULLION ANCHORING DETAILS



HERMES F. NORERO
FLORIDA P.E. NO. 73778
398 E. DANIA BEACH BLVD., #338
DANIA BEACH, FL 33004
FBPE CERT. OF AUTH. NO. 29578

DATE: 12.15.2015

SCALE: NONE

DESIGN BY: G.LUBBECKE

CHK. BY: S.SAFFELL

DRAWING No.:
D013700

SHEET 9 OF 9